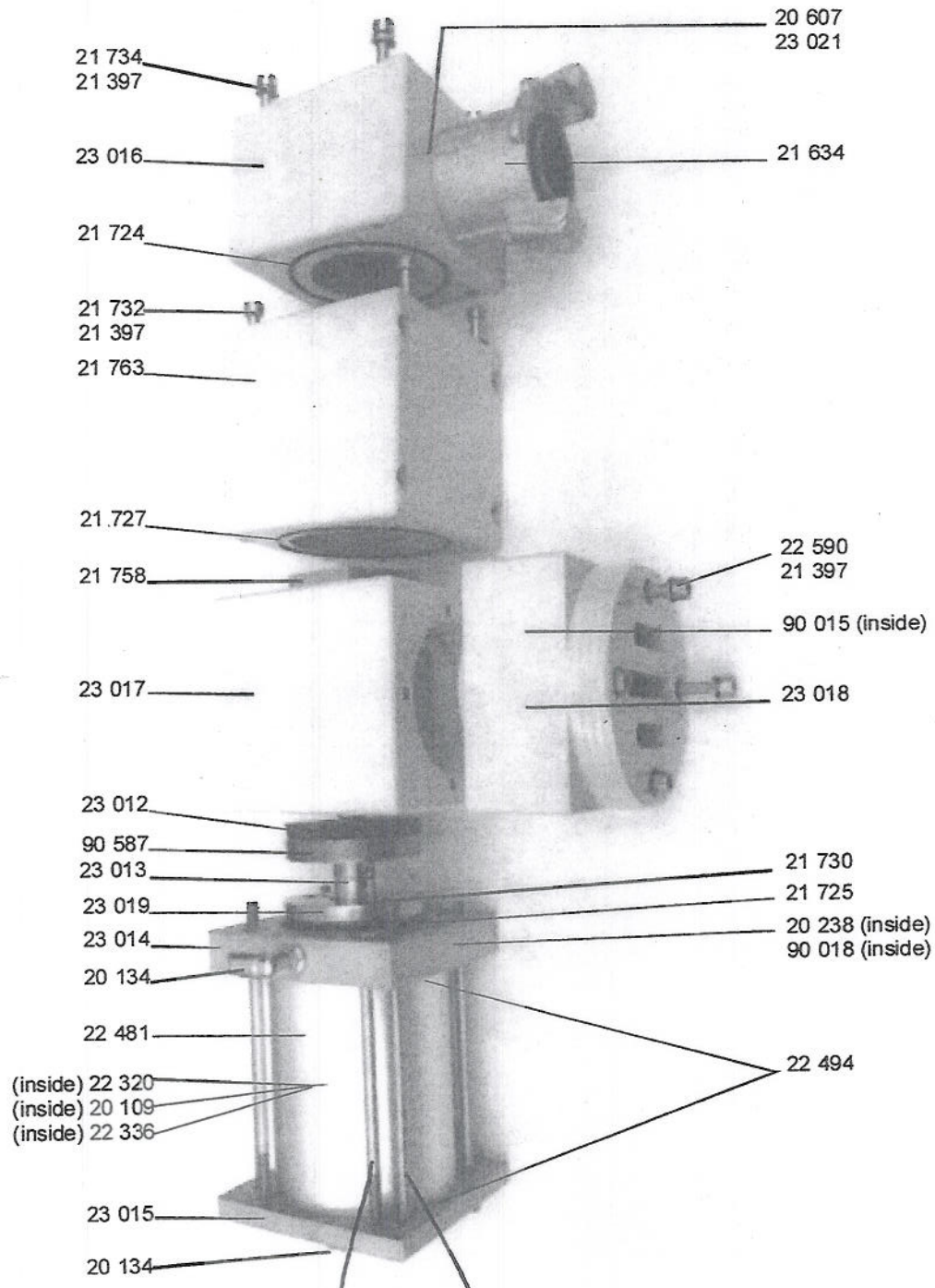


Switching unit QS 8008, compl. (KTA)



22400
120 mm

23023
140 mm

23010 Switching unit QS 8008, compl. (KTA)

Article	Denomination	Quantity
20 134	Push In 1/8-06, Form WA	2
20 238	Gasket 20 x 28 x 5,5	1
20 607	Gasket, blasting coupling (NW 42mm)	1
21 634	Blasting coupling 1 1/2 F-thread	1
21 594	Gasket, blasting coupling 20 mm	1
21 724	O-Ring 75 x 3 mm	1
21 725	O-Ring 65 x 3 mm	1
21 727	O-Ring 80,5 x 2 mm	1
21 730	Wiper 20 x 8	1
21 732	Cylinder screw DIN 912 - M6 x 100, VA	8
21 397	Washer 6,3 mm, A2	8
21 734	Cylinder screw DIN 912M6 x 75 mm, VA	4
21 397	Washer DIN 137-6,3 - A2	4
21 758	Counterpart 8099	1
21 763	Block QS8099-II	1
22 320	Piston 080-02 M, compl.	1
20 109	Hex. Head screw DIN 933-M8x16 mm, A2	1
22 336	Disc DIN 9021 - 8,4-A2	1
22 481	Cylinder 080-06-L	1
22 494	O-Ring, 72 x 2,5	2
22 590	Cylinder screw DIN 912 M6 x 60 mm, VA	4
21 397	Washer DIN 137 6,3 - A2	4
23 012	Locking stopper QS8008, compl.	1
23 013	Piston rod QS8008	1
23 014	Plate, switching unit QS8008 (Cylinder)	1
23 015	Plate, switching unit QS8008 (Endplate cylinder)	1
23 016	Block QS8008-I	1
23 017	Block QS8008-II	1
23 018	Block QS8008-III	1
23 019	Gasket plate QS8008	1
22 024	Hex. Head screw DIN 933 - M5 x 16 mm, Stainless steel	2
22 025	Disc DIN 125 - 5,3- A2	2
22 684	Spring washer DIN 125- M5 -A2	2
23 021	Nipple 1 1/2-33 mm, special steel	1
90 015	Radiator hose with texture-support 50 mm	0,06
90 018	Guiding band 08 x 1,5 mm	0,06
90 587	Holder Locking stopper QS08	1